

Korona Series Q-Switched Nd:YAG Laser System

Functions Optional:

- SHG, THG, FHG Module
- Variable Attenuator
- Multi-wavelength Output
- Higher Repetition Rates
- Fiber Coupler
- TEM₀₀ or Multi-mode Spatial Profile

Applications:

- Laser Radar (LIDAR)
- Laser Spectroscopy
- Laser Induced Breakdown
- Spectroscopy (LIBS)
- Laser Repair
- Time of Flight (TOF)
- Laser Induced Fluorescence (LIF)

Features:

- High Beam Quality
- Full Sealed and Compact Design
- Quick Lamp Change
- Rugged and Durable Performance
- High Stability and Reliability
- RS232 Interface Contained

The Korona series Q-switched Nd:YAG laser is one of LVI standard pulsed lasers with output energies ranging from 100mJ to 350mJ at 1064nm and harmonic options of SHG, THG and FHG.

With a compact design, rugged structure and high quality engineering, the Korona is suitable for various industrial and scientific applications.



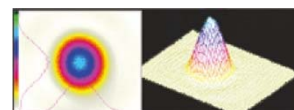
Laser Head



Driver (PS & Cooling)



Touch Control Panel



Spatial Profile (2D/3D far Field)

Specification :

Model	Korona-100	Korona-200	Korona-350
Spatial Profile	VRM	VRM	VRM
Energy: (mJ)	100	200	350
1064nm	50	100	170
532nm	15	30	50
355nm	10	20	30
266nm			
Repetition Rates: (Hz)	1 ~ 20	1 ~ 10	1 ~ 10
Pulsewidth@1064nm	<8ns	<7ns	<7ns
Divergence: (mrad)	≤1mrad	≤1mrad	≤1mrad
Spot Size: (mm)	6mm	6 mm	7 mm
Energy Stability:	2 ~ 3%	2 ~ 3%	2 ~ 3%
(STDEV/Mean)			

※ Chiller required

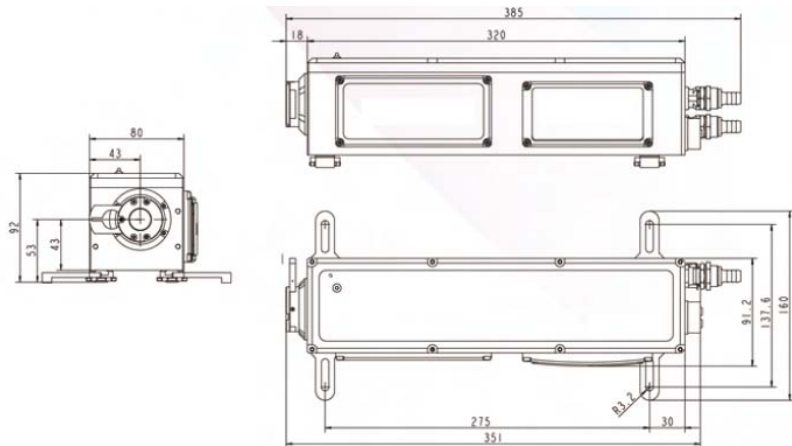
 LVI Technologies Inc.

1032 ,126-1 Pyeongchong-dong
Dongan-gu Anyang Gyeonggi-do
Tel.+82(31)-3246
Fax+82(31)-3247
<http://www.lvitech.com>
E-mail:lvitech@kornet.net

Korona Series Q-Switched Nd:YAG Laser System

Dimensions :

- Based on 1064nm Laser Head
(LWH 385mm x 92mm x 80mm)



- Power Supply & Cooling Unit
(The Dimension of each model is different)

